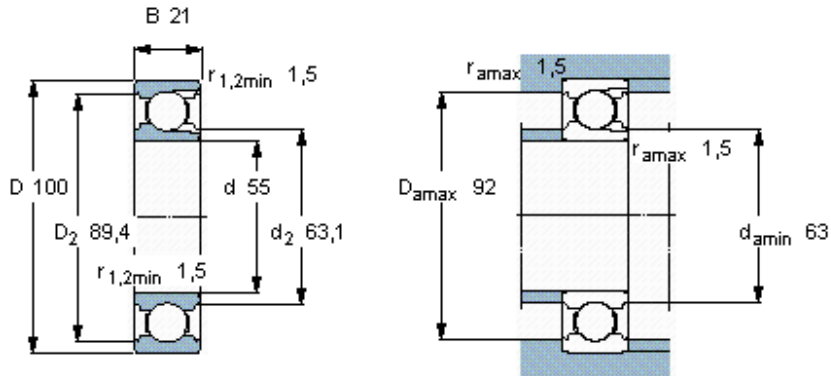


Deep groove ball bearings, single row, with filling slots

Principal dimensions			Basic load ratings		Speed ratings		Designation
d	D	B	dynamic C	static C0	Reference speed	Limiting speed	
mm			kN		r/min		-
55	100	21	48,4	44	12000	7500	211



Calculation factors

k_r 0,04
 f_0 14,3